



TEVISIO – MAKING THE DIFFERENCE CLEARLY VISIBLE.

Highly demanding visual tasks are made simple with the TEVISIO magnifier luminaire's sophisticated ergonomic design and exceptional performance. TEVISIO is essential wherever your eyes are put to the test - from laboratories and electronics, to the metal-working and watch-making industries. 48 premium LEDs illuminate the viewing area through a wide-angle, distortion-free lens and four segment switching and dimming capabilities offer customized viewing options. TEVISIO's innovative balanced-arm technology (patent pending) and six independent swivel joints at the head allow for easy adjustment and precise positioning of the magnifier, making

it ideal for manufacturing, assembly, quality assurance, or general examination.

- 48 Premium SMD LEDs
- Illuminance of 6000 lux using only 14 watts of power
- Touch-enabled dimming – 100% to 10%
- 6-inch diameter wide-angle, scratch-proof glass lens for distortion-free vision
- Easily adjustable spring-balanced arm and large arm radius
- Innovative head positioning with six independent swivel joints

- 3.5 diopter or 3.5d + 8d magnification
 - 40% energy savings*
 - Maintenance-free: LED life of up to 50,000+ hours
 - 3D shadow effects
 - 1A, Ra = 90 color rendering index
 - Sealed joints to protect internal wiring
 - Manufactured from aluminium and high performance plastic
- *as compared to conventional magnifier luminaires

ILLUMINATE. INTENSIFY. TEVISIO.



CUSTOMIZED LIGHTING

For precise visual acuity, TEVISIO's continuous touch-enabled dimming provides customization of the light output from 100% to 10%. Enabling individual comfort and control, the integrated segment-switching feature includes three switchable light segments to select from, as necessary for lighting a specific task.

48 premium LEDs meet a 1A, $R_a = 90$ color rendering index, the highest level needed for the detailed inspection of color matching. The 3.5 diopter magnifier doubles the size of even the smallest detail and a 3.5d + 8d zoom version is also available for high precision work.



ERGONOMIC POSITIONING

The impressive reach of the TEVISIO arm, along with the multi-directional head joint, enables a wide range of positioning options. Six independent swivel joints turn up to 90 degrees in every direction, making it adaptable to any viewing need.

Innovative balanced-arm technology (patent pending) allows for easy adjustment and precise positioning. For maximum ergonomic comfort, TEVISIO offers a choice of two arm lengths.



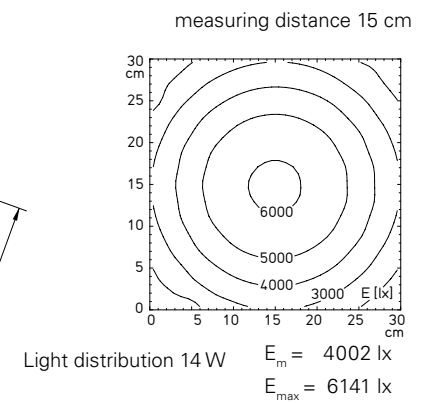
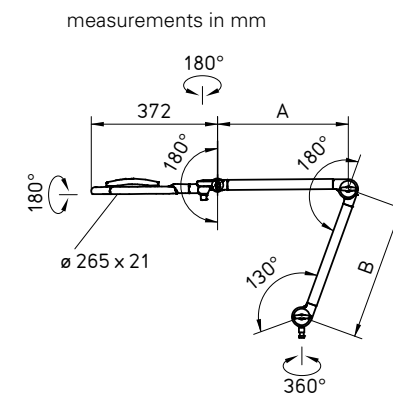
ENERGY EFFICIENCY AND DURABILITY

TEVISIO compares at 40% more efficient than conventional magnifier luminaires while maintaining its high illumination level of 6,000 lux with a power consumption of only 14 watts.

With a rated LED life of 50,000+ hours and a minimum of 20,000 arm movements, TEVISIO saves on maintenance and downtime costs while providing the durability that has become synonymous with the Waldmann brand.



TECHNICAL DATA



efficient *Light*

SPECIAL FEATURES

- 48 Premium LEDs
- Power consumption: 14 watts
- Color temperature: neutral white 4000K
- Light guidance via reflector
- Glass lens 6in diameter with 3.5 diopter or 3.5d + 8d magnification options
- Housing made of anodized aluminum
- Multi-directional head joint for individual adjustment
- Spring-balanced arm
- Touch panel integrated in the luminaire head for on/off, dimming or segment switching
- IP20, double insulated housing (Class II)
- 100–240V, 50/60Hz operation
- 12-foot cord with US plug
- Optional mounting accessories (see below)



MOUNTING OPTIONS



| MODEL | REACH | DIOPTR | DIMMING | SWITCHABLE | PART NUMBER |
|------------------------------------|----------------|---------|---------|-------------------|--------------------|
| Tevisio | 30.9in (784mm) | 3.5d | YES | N/A | 112919000-00491786 |
| Tevisio | 30.9in (784mm) | 3.5d+8d | YES | N/A | 112919001-00499159 |
| Tevisio | 30.9in (784mm) | 3.5d | YES | Segment Switching | 112919002-00499164 |
| Tevisio | 30.9in (784mm) | 3.5d+8d | YES | Segment Switching | 112919003-00499170 |
| TevisioMax | 38.9in (988mm) | 3.5d | YES | N/A | 112918000-00490893 |
| TevisioMax | 38.9in (988mm) | 3.5d+8d | YES | N/A | 112918001-00499154 |
| TevisioMax | 38.9in (988mm) | 3.5d | YES | Segment Switching | 112918002-00509020 |
| TevisioMax | 38.9in (988mm) | 3.5d+8d | YES | Segment Switching | 112918003-00509017 |
| Accessory : Pin Mount Adapter | N/A | N/A | N/A | N/A | US0209012 |
| Accessory : Wall Bracket Pin Mount | N/A | N/A | N/A | N/A | 308218109 |
| Accessory : Pin Mount Table Base | N/A | N/A | N/A | N/A | 190186019 |

TEVISIO ESD - PROBLEM SOLVED.

The industrial workplace deals with a variety of safety concerns, including implementing efficient and reliable lighting. Waldmann's original TEVISIO magnifier has tackled the issues of glare, shadows and stroboscopic effects typical to a viewing area where magnifiers are used.

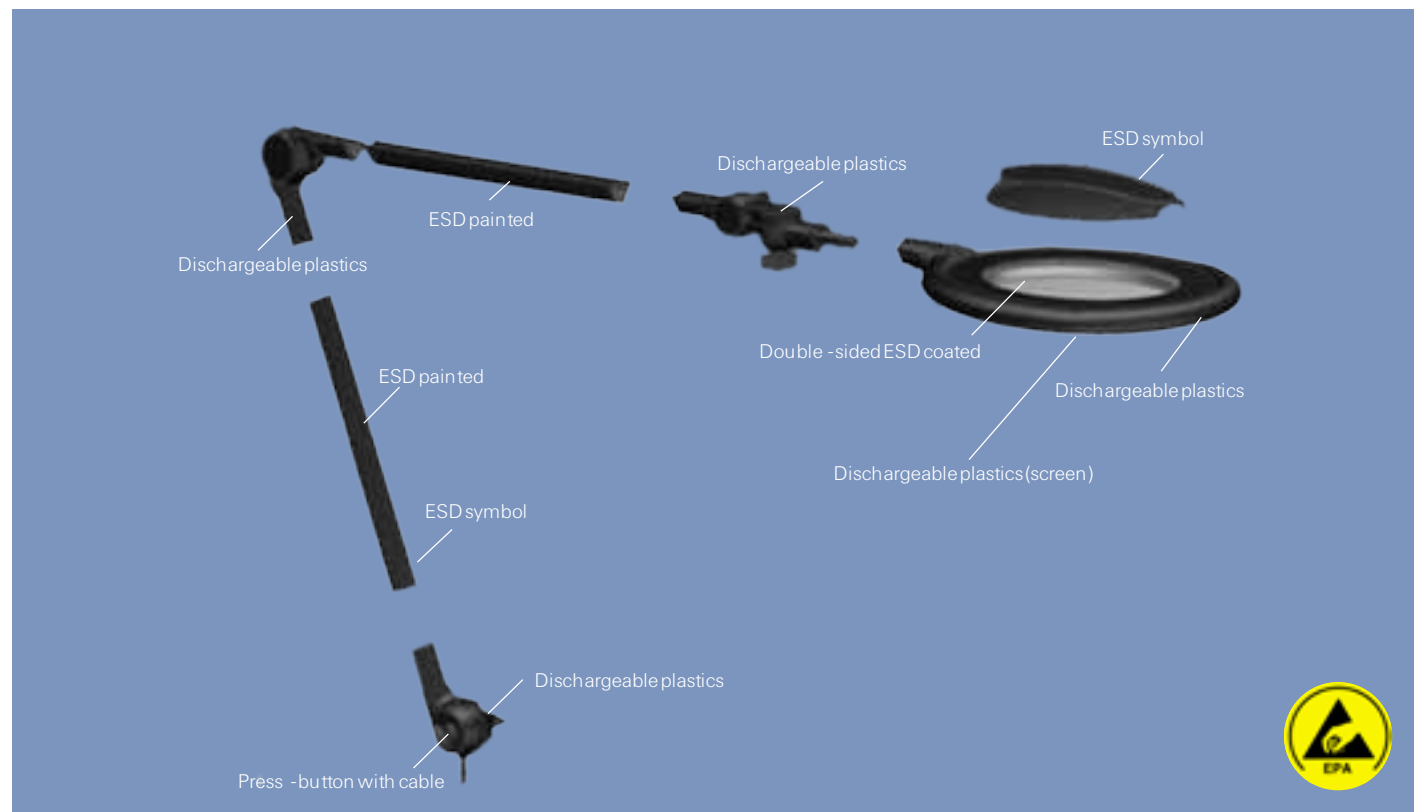
In certain industrial workplaces, electrostatic discharges can be an issue, damaging or even destroying electronic components,

assemblies or complete electronic products. Depending on the conditions in the immediate environment, extremely high static charges (volts) can build up. While these impulse discharges aren't noticeable to humans until a level of 3000 volts, a 100-volt level can easily damage an integrated circuit.

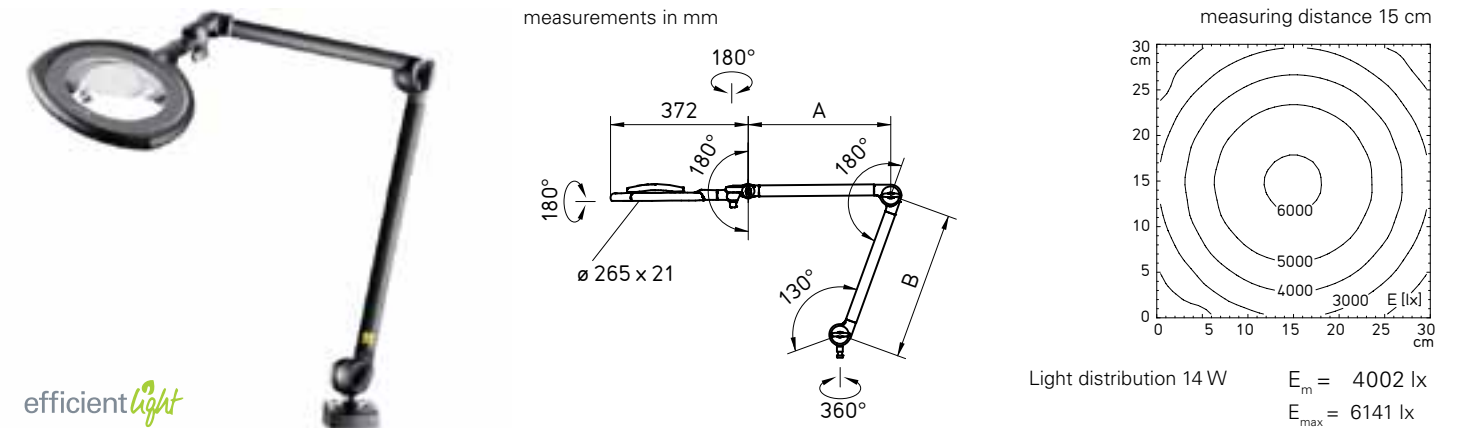
With this in mind, Waldmann has made a priority of ensuring that its components are

ESD safe. The new TEVISIO ESD version boasts:

- double-sided ESD coated lens
- ESD-safe 100-240V plug-in converter with quick disconnect (included)
- ESD-safe table clamp (included)
- ESD painted surface
- push button on/off switch
- dischargeable molded materials



TECHNICAL DATA



efficient light



| MODEL | REACH | DIOPTR | DIMMING | SWITCHABLE | PART NUMBER |
|---|----------------|--------|---------|-------------------|--------------------|
| Tevisio ESD | 38.9in (988mm) | 3.5d | YES | SEGMENT SWITCHING | 113016000-00561675 |
| Tevisio ESD | 30.9in (784mm) | 3.5d | YES | SEGMENT SWITCHING | 113016000-00561685 |
| Accessory : Table Clamp (ESD) | N/A | N/A | N/A | N/A | 190100029 |
| Accessory : Plug-in Converter (100-240 V with quick disconnect) | N/A | N/A | N/A | N/A | 336047100 |